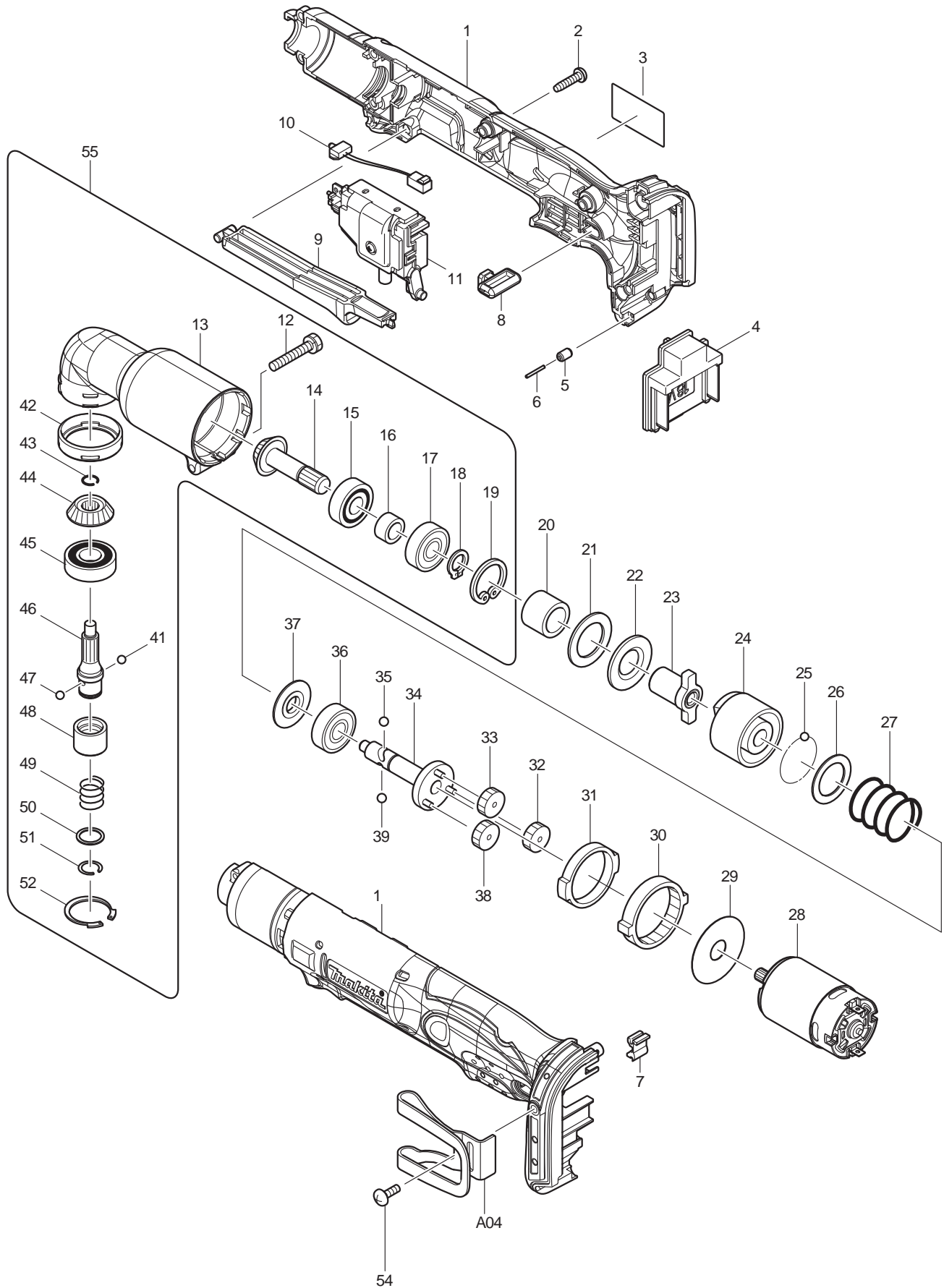




12 - 2013
DTL061Z / DTL061F
18V ANGLE IMPACT DRIVER



Item No	Type	Ref	Part No	Description	Qty	Unit
001			187889-4	HOUSING SET	1	SET
		INC.	263005-3	RUBBER PIN 6	2	PC.
		INC.	802J50-9	CAUTION LABEL (W/NO BATTERY NO.)	1	PC.
002			265995-6	TAPPING SCREW 4X18	8	PC.
003			815M16-8	NAME PLATE F/DTL061	1	PC.
004			643852-2	TERMINAL	1	PC.
005			263036-2	RUBBER PIN 5	1	PC.
006			268184-2	PIN 1.5	1	PC.
007			424026-2	CUSHION	1	PC.
008			450126-2	FR CHANGE LEVER	1	PC.
009			450125-4	SWITCH LEVER	1	PC.
010			631778-0	LED CIRCUIT	1	PC.
011			638885-0	SWITCH UNIT	1	PC.
012			265409-5	+ HEX. BOLT M5X30	1	PC.
013			152461-1	ANGLE HEAD COMPLETE	1	PC.
014			226720-0	ZEROL BEVEL GEAR 13	1	PC.
015			211064-1	BALL BEARING 6000	1	PC.
016			257660-1	SLEEVE 10	1	PC.
017			211061-7	BALL BEARING 6000LLB	1	PC.
018			961006-2	RETAINING RING S-10	1	PC.
019			962105-3	RETAINING RING R-26	1	PC.
020			257662-7	SLEEVE 15	1	PC.
021			261095-0	RUBBER WASHER 21	1	PC.
022			267120-5	FLAT WASHER 15	1	PC.
023			322689-7	ANVIL	1	PC.
024			322688-9	HAMMER	1	PC.
025			216001-0	STEEL BALL 3.5	22	PC.
026			267121-3	FLAT WASHER 20	1	PC.
027			233107-9	COMPRESSION SPRING 22	1	PC.
028			629846-1	DC MOTOR	1	PC.
029			267053-4	FLAT WASHER 12	1	PC.
030			226280-2	INTERNAL GEAR 69	1	PC.
031			257187-1	RING 32	1	PC.
032			226279-7	SPUR GEAR 29	1	PC.
033			226279-7	SPUR GEAR 29	1	PC.
034			154416-2	SPINDLE COMPLETE	1	PC.
035			216002-8	STEEL BALL 4.8	1	PC.
036			211064-1	BALL BEARING 6000	1	PC.
037			322719-4	WASHER 10	1	PC.
038			226279-7	SPUR GEAR 29	1	PC.
039			216002-8	STEEL BALL 4.8	1	PC.
041			216001-0	STEEL BALL 3.5	1	PC.
042			424044-0	RUBBER RING 32	1	PC.
043			231990-8	RING SPRING 9	1	PC.
044			226721-8	ZEROL BEVEL GEAR 13	1	PC.
045			211131-2	BALL BEARING 6001DDW	1	PC.
046			323922-0	SPINDLE N	1	PC.
047			216001-0	STEEL BALL 3.5	1	PC.
048			322718-6	SLEEVE	1	PC.
049			233005-7	COMPRESSION SPRING 13	1	PC.
050			267085-1	FLAT WASHER 12	1	PC.
051			231951-8	RING SPRING 11	1	PC.
052			962116-8	RETAINING RING R-28	1	PC.
054			251314-2	(+) SCREW M4X12(F/HOOK)	1	PC.
055			135183-8	ANGLE HEAD ASS'Y	1	PC.
		INC.		Item No. 12-19, 41-52		
100			654069-2	RECEPTACLE	2	PC.

Item No	Type	Ref	Part No	Description	Qty	Unit
101			654281-4	RECEPTACLE	2	PC.
C01	2		877712-8	CARTON F/ DTL061Z	1	PC.
D01			533023-8	LEAD UNIT RED 110	1	PC.
D02			533024-6	LEAD UNIT RED 90	1	PC.
<u>ACCESSORIES</u>				- See catalogue or visit www.makita.ca for more accessories information -		
A01			784202-3	PHILLIPS BIT 2-45	1	PC.
A02			-----	BATTERY CHARGER		
A03			-----	18V LI-ION BATTERY		
A04			-----	LI-ION BATTERY ACCESSORIES		
			346449-3	HOOK	1	PC.
A05	1		824816-7	PLASTIC CARRYING CASE	1	PC.
		INC.	163455-1	LATCH	2	PC.
		INC.	419360-3	HANDLE	1	PC.
	2		141493-3	PLASTIC CARRYING CASE	1	PC.
		INC.	163455-1	LATCH	2	PC.
		INC.	419360-3	HANDLE	1	PC.
A06			-----	ANGLE DRILL ACCESORIES		